



CAMP & MARINE

Campground and Marina	
Power Supply Units.....	208
Motorhome and Caravan	
Electrical Fittings	210
Camping and Marine Accessories	211
Domestic Power Supply Adaptors	212



Campground and Marina Power Supply Units

Campground and Marina power supply pillars are the better way to power up New Zealand's Holiday Parks and Marinas. We have a range of options to the way electricity is provided for Campground, Caravan Park and Marina users.

We can incorporate Kilowatt Hour Meters to measure power usage and charge customers only what they use.

PRODUCT FEATURES:

- ▶ New Zealand design, manufactured from all plastic materials to ensure long life, particularly in our harsh seaside environments
- ▶ Light controls include automatic daylight sensing
- ▶ Your choice of 1, 2, 3 or 4 outlet options
- ▶ Window access to RCD protection
- ▶ Sealed against flying insect intrusion

CONSTRUCTION:

Construction PVC (Exception: Supply Pillar which has Powder Coated Aluminium base & frame with PVC front and back panels)

Outlets Unless otherwise requested, outlets are IEC 60309-2 16 Amp 230V 2 P + E.

IP44 rated – Caravan Supply Box

IP67 rated - Marina Supply Pillar & Supply Box.

RCBOs Each outlet has an RCBO in the circuit.

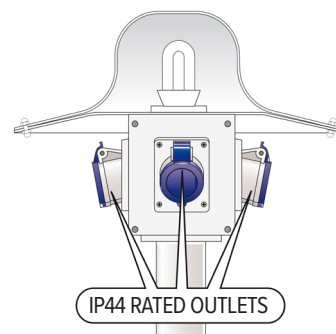
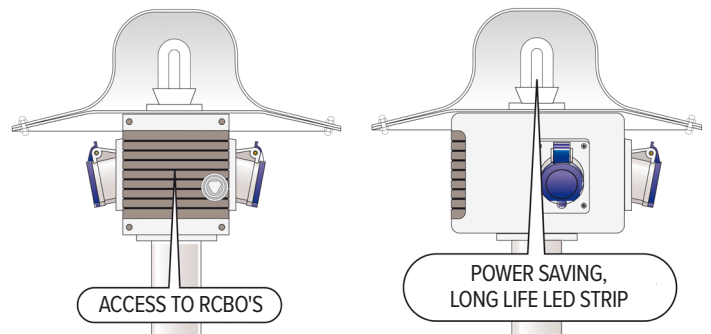
OPTIONAL EXTRAS:

LIGHT An LED light is optional. Which can include a photo cell that will bring on the light automatically at dusk and switch it off again at dawn. The light can also be switched off manually.

KILOWATT HOUR METER Kilowatt Hour Meters are optional. These can be fitted to the Power Supply Box or Pillar to enable billing of each site for actual power used. Giving the Campground or Marina Site manager the option to charge for power.

ACCESSORIES A comprehensive range of plugs, sockets, mounting boxes and other accessories are also available.

MOUNTING POLE The Caravan Supply Box can be manufactured to mount on our 90mm (outside diameter) PVC pole. The 2M mounting pole is sold separately add product code CARSUPBPOL when ordering.



Campground and Marina Power Supply Units continued...



Caravan Supply Box	
Code	Description
CARSUPBX1	C/Van Box 1Way
CARSUPBX1L	C/Van Box 1Way + Light
CARSUPBX2	C/Van Box 2Way
CARSUPBX2L	C/Van Box 2Way + Light
CARSUPBX3	C/Van Box 3Way
CARSUPBX3L	C/Van Box 3Way + Light
CARSUPBX4	C/Van Box 4Way
CARSUPBX4L	C/Van Box 4Way + Light
CARSUPBXPOL	2M PVC Mounting Pole 90mm diameter

All outlets RCBO protected

The Caravan Supply Box can be manufactured to mount on our 90mm (outside diameter) PVC pole (or a pole of the same diameter that you may wish to supply). Alternatively, it can be mounted on a flat base.

Please specify your requirements when placing an order, advise if it is to be used in a Campground or Marina application.

The 2M mounting pole is sold separately add product code CARSUPBXPOL when ordering – should you wish for your Supply box(s) to be manufactured to mount on a PVC pole.

Caravan Supply Box Wall or Post Mounted	
Code	Description
CARSUPBX1W	C/Van Box 1Way Wall/Post Mount
CARSUPBX2W	C/Van Box 2Way Wall/Post Mount
CARSUPBX3W	C/Van Box 3Way Wall/Post Mount
CARSUPBX4W	C/Van Box 4Way Wall/Post Mount

All outlets RCBO protected



Caravan / Marine Supply Pillar	
Code	Description
PILLAR1	C/Van Pillar 1Way
PILLAR1L	C/Van Pillar 1Way + Light
PILLAR2	C/Van Pillar 2Way
PILLAR2L	C/Van Pillar 2Way + Light
PILLAR3	C/Van Pillar 3Way
PILLAR3L	C/Van Pillar 3Way + Light
PILLAR4	C/Van Pillar 4Way
PILLAR4L	C/Van Pillar 4Way + Light

All outlets RCBO protected



Marina Supply Box Wall or Post Mounted	
Code	Description
MARSUPBX1W	Marina Box 1Way Wall/Post Mount
MARSUPBX2W	Marina Box 2Way Wall/Post Mount
MARSUPBX3W	Marina Box 3Way Wall/Post Mount
MARSUPBX4W	Marina Box 4Way Wall/Post Mount

All outlets RCBO protected

Want to add a Kilowatt Hour Meter?

If you wish to include Kilowatt Hour Meters to your outlets on a Supply Box or Pillar please add 'KWH' to the end of the product code when ordering.



Firstflex has taken every precaution to ensure accurate information in this catalogue, but accept no liability for any errors or omissions. Firstflex reserves the right to modify specifications at any time.

**Motorhome and Caravan
Electrical Fittings**



EXTERNAL



**CARAVAN
CONVERSION KIT**
Contains Scame IP67
Connector, IP67 Inlet and
IP44 Plug
CODE: CCK67



Code: 247.1693

OR



Code: 248.1693



CODE: CARSUP10

Surface mounted inlet
with 10 metre caravan
supply lead.



CODE: CARSUPANGLE10

10 metre caravan supply lead,
90° connector.



Camping and Marine Accessories

Caravan Supply Leads

Supply lead for caravans and motorhomes to connect to campground power supply units.

- ▶ 10, 15, 20 or 30 metre lead connector and plug
- ▶ Complete with strain relief Dog Bone



Code	Description
DOGBON	Cable Strain Relief <i>(sold separately)</i>
Below sizes manufactured with 3 x 1.5mm ² Cable	
CARSUP10	10 metre with IP44 Plug & IP67 Connector
CARSUP10B	10 metre with IP44 Plug and Connector
CARSUP15	15 metre with IP44 Plug & IP67 Connector
CARSUP20	20 metre with IP44 Plug & IP67 Connector
CARSUP30 manufactured with 3 x 2.5mm ² Cable	
CARSUP30	30 metre with IP44 Plug & IP67 Connector

Marina Power Tool Lead

To supply power to tools and appliances used onboard when the vessel does not have its own shore power switchboard.

- ▶ Waterproof 10 Amp outlet, MCB or RCBO overload
- ▶ 10, 15 or 20 metre long lead, plus marina plug



Code	Description
MARSUP10	10 metre
MARSUP15	15 metre
MARSUP20	20 metre

Add an 'E' at the end of code to have the RCBO option provided. eg. MARSUP10E = Marina Power Tool Lead with an RCBO.

Demo15 - Single Phase Kilowatt Hour Meter

A single phase electronic watt-hour meter that uses microelectronics techniques to accurately and directly measure 50Hz or 60Hz active energy consumption.

This product can be fitted to our Power Supply Box or Pillars to enable billing of each site for actual power usage.

Code: DEMO15



Caravan Supply Adaptor

Power your motorhome from a domestic outlet.

- ▶ From 10 Amp domestic lead to 16 Amp connector - 1.2 metre lead
- ▶ Includes a 10 Amp MCB (Miniature Circuit Breaker) to protect the house supply. Services may be reduced in the caravan
- ▶ Suitable for indoor use only.
- ▶ Complies with AS/NZS 3820:2009+A1, Tested to AS/NZS 3760

Code: CARSUPADA



CheckMate - Inline Power Meter

Suitable for campgrounds and holiday parks with existing power supply boxes. Add to an existing power supply box to allow you to measure electricity use.

- ▶ IP66 weatherproof and UV resistant enclosure with DIN-mounted kilowatt hour meter
- ▶ Simply install a single lead to sites where potential usage would be greater than that allowed for in the general site charge
- ▶ 16A plug IP44 & 16A connector IP67
- ▶ 10 metre heavy duty power lead

Code: CHECKMATE





Domestic Power Supply Adaptors

Power a caravan, RV or portable building from a domestic power outlet using the range of Electrex CAMPSAFE domestic power supply adaptors.

CAMPSAFE

- ▶ 10 Amp to 16 Amp power adaptor
- ▶ Includes a 10 Amp MCB to protect the power supply
- ▶ IPX4 protected enclosure - weatherproof for outdoor use
- ▶ Available in varying lengths up to 25m, reducing the need for additional leads
- ▶ New Zealand assembled
- ▶ Third Party tested to meet AS/NZS 3100
- ▶ Cable support glands to increase product longevity
- ▶ Mounting holes included to allow unit to be mounted to various surfaces



CODE: CAMPSAFE



CODE: CAMPSAFE**

Code	Description
CAMPSAFE	2 metre Black Lead
CAMPSAFE10	10 metre Orange Lead
CAMPSAFE15	15 metre Orange Lead
CAMPSAFE20	20 metre Orange Lead
CAMPSAFE25	25 metre Orange Lead

CAMP & MARINE

CAMPSAFE

CARAVAN SUPPLY ADAPTORS

Power a caravan, RV or portable building from a domestic power outlet using the range of Electrex CAMPSAFE domestic power supply adaptors

- ▶ 10 Amp plug to 16 Amp socket power adaptor
- ▶ Includes a 10 Amp MCB for overload protection
- ▶ IP44 protected enclosure - weatherproof for outdoor use
- ▶ Third Party tested to meet AS/NZS 3100
- ▶ Cable support gland for long life cable protection
- ▶ Mounting holes allow unit to be mounted as required
- ▶ Designed and assembled in New Zealand



Available in 2m, 10m, 15m, 20m & 25 Metre length lead.



Firstflex has taken every precaution to ensure accurate information in this catalogue, but accept no liability for any errors or omissions. Firstflex reserves the right to modify specifications at any time.