



DATA SHEET


FIBREGLASS ROAD Ø 11 MM


incl. wheeled steel cage, double run-out system, metre counter
 counter Item no.: **RUNP10095 | RUNP10097**



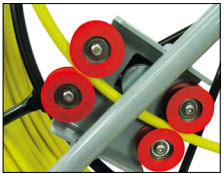


BEGINNING: 
 Shackle, stainless steel with RUNPOTEC RTG Ø 12 mm thread - screwed to strand

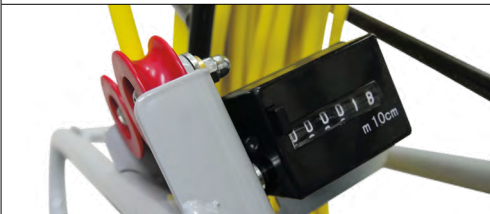
ENDING: 
 Ending joint, stainless steel with RUNPOTEC RTG Ø 12 mm thread




automatic run-out brake



Quick run with mounted rollers



Metercounter



Adaptable leading heads

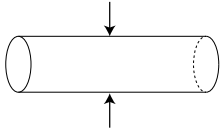
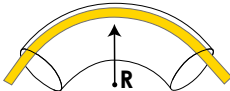


DATA

ITEM NO.				RUNP10095	RUNP10097
LENGTH				200 m	300 m
WEIGHT				45,6	59,6
MATERIAL	Fibreglass core with PP sheath				
PIPE Ø	for tube diameter 80 - 250 mm				
TOTAL BREAKING LOAD	580 kg				

ADVANTAGES

- ✓ incl. steel reel and metre counter
- ✓ Double run-out system (automatic run-out brake and fast run-out)
- ✓ Additional parking brake
- ✓ Glass fibre rod total breaking load up to 6200 kg
- ✓ Total breaking load 580 kg
- ✓ Bending radius 770 mm

Rec. tube diameter, bending radius and total breaking load

Ø				
11 mm	80 - 250 mm	770 mm	6200 kg	580 kg

DESCRIPTION

Cable puller glass fibre rod Ø 11 mm - RUNPOTEC RTG Ø 12 mm thread with robust steel reel (galvanised/powder coated) Ø 1000 mm incl. new double run-out system (automatic run-out brake and fast run-out), additional parking brake. The shackle also has a transition thread to RTG Ø 6 mm to adapt various guide rods (RUNPOSTICKS), guide probes, cable pulling sleeves, multifunction camera RC 2 and the like. Glass fibre rod total breaking load 6200 kg, total breaking load 580 kg.

Optimal field of application: for pipe diameters 80 - 250 mm

Scope of delivery: 1 piece of glass fibre rod Ø 11 mm with steel reel and new double run-out system, end sleeves on both sides (start/end), 1 x metre counter, 1 x shackle

Product Code: RUNP10095/
 RUNP10097

Supplied by Firstflex Cables
www.firstflex.co.nz/runpotec